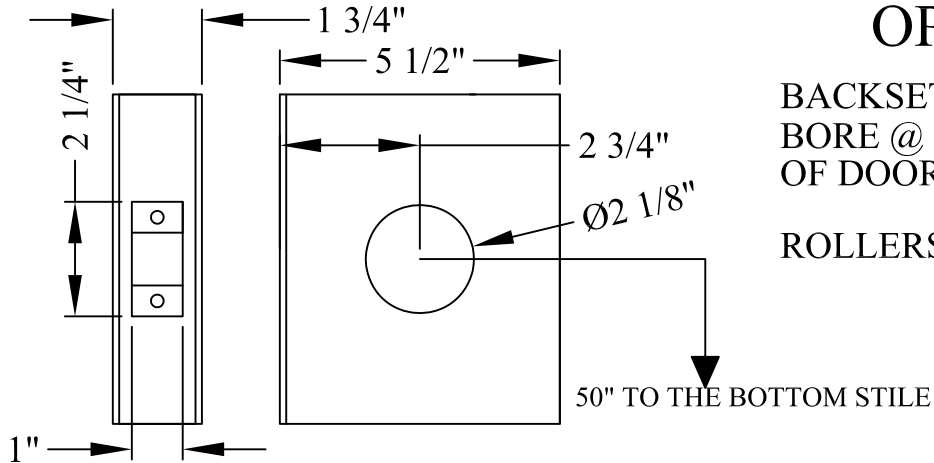


# HARDWARE BORING

## SINGLE BORE

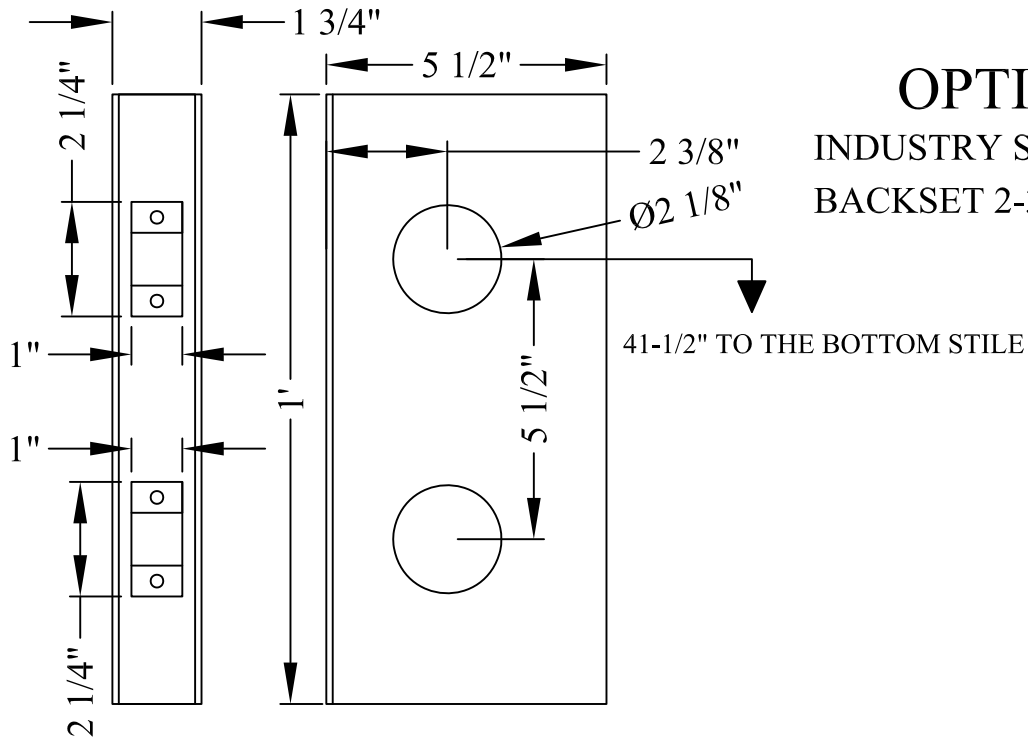


## OPTION 1

BACKSET 2-3/4"  
BORE @ 50" TO BOTTOM  
OF DOOR

ROLLERS CATCHES INCLUDED

## DOUBLE BORE



## OPTION 2

INDUSTRY STANDARD BORING  
BACKSET 2-3/8"